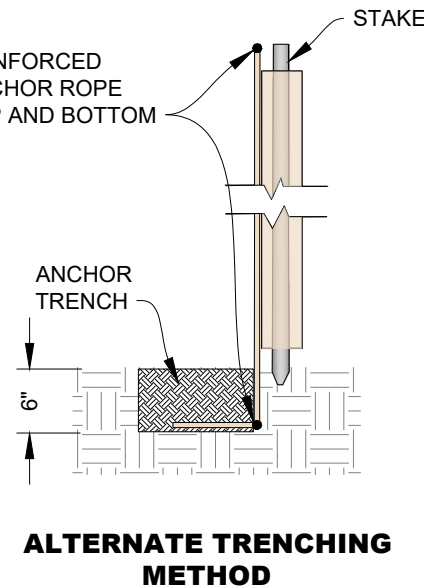
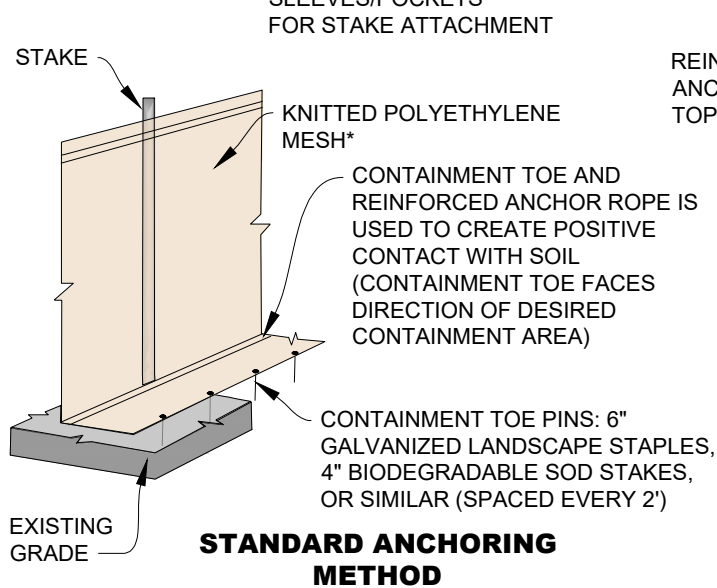
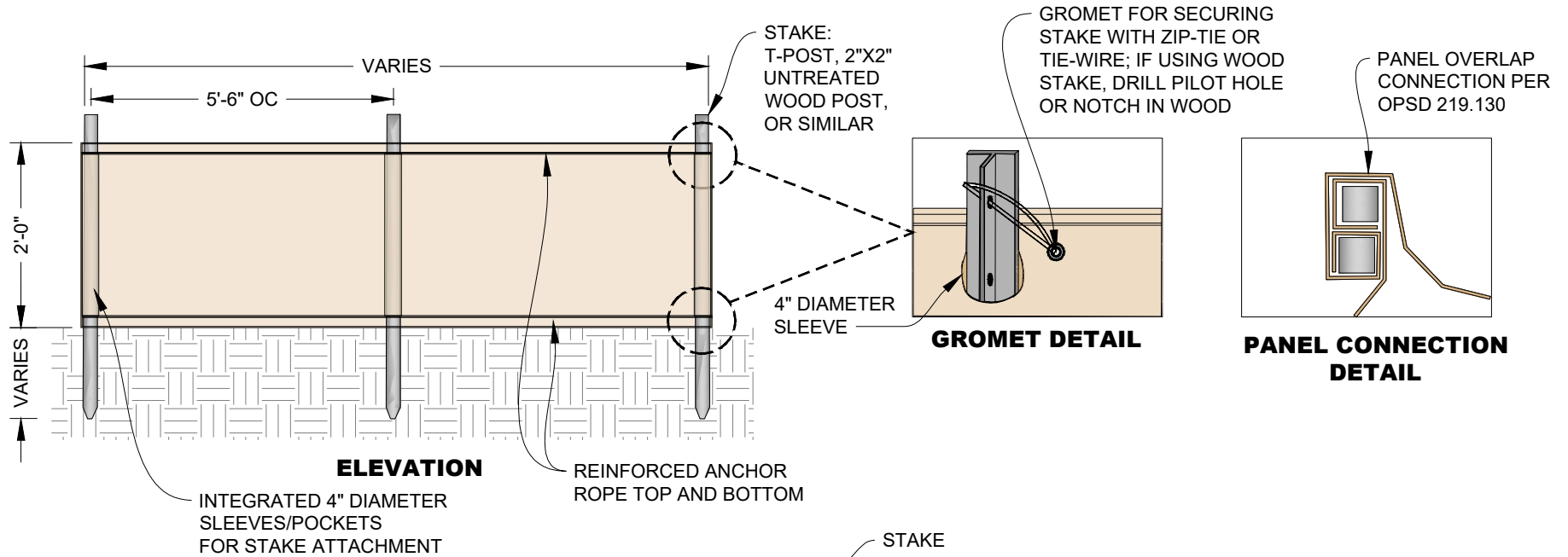


*KNITTED POLYETHYLENE MESH WITH THE FOLLOWING:

- 11 SPI COURSE COUNT
- 88.5% SHADE FACTOR (ACFFA 1989)
- 3.67 OZ/SQ-YD WEIGHT (ASTM D3776)
- 63 LBS WARP AND 84 LBS FILL BREAK STRENGTH (ASTM D5034)
- 36.6% WARP AND 51.3% FILL BREAK ELONGATION (ASTM D5034)
- 25.7 LBS WARP AND 31.7 LBS FILL TEAR STRENGTH (ASTM D5587)
- 150 PSI BURSTING STRENGTH (ASTM D3786)
- 441 CFM/SF AIR PERMEABILITY (ASTM D737)
- TAN OR GREEN IN COLOR
- AVAILABLE IN FIRE RETARDANT VERSION
- 50' OR 100' LONG SECTIONS (ROLLS)

**WATTLE
KILLER**
NOT TO SCALE





- *KNITTED POLYETHYLENE MESH WITH THE FOLLOWING:
- 11 SPI COURSE COUNT
 - 88.5% SHADE FACTOR (ACFFA 1989)
 - 3.67 OZ/SQ-YD WEIGHT (ASTM D3776)
 - 63 LBS WARP AND 84 LBS FILL BREAK STRENGTH (ASTM D5034)
 - 36.6% WARP AND 51.3% FILL BREAK ELONGATION (ASTM D5034)
 - 25.7 LBS WARP AND 31.7 LBS FILL TEAR STRENGTH (ASTM D5587)
 - 150 PSI BURSTING STRENGTH (ASTM D3786)
 - 441 CFM/SF AIR PERMEABILITY (ASTM D737)
 - TAN OR GREEN IN COLOR
 - AVAILABLE IN FIRE RETARDANT VERSION
 - 50' OR 100' LONG SECTIONS (ROLLS)

<p>EVOGUARD DETAIL</p> <p>NOT TO SCALE</p>	
---	---